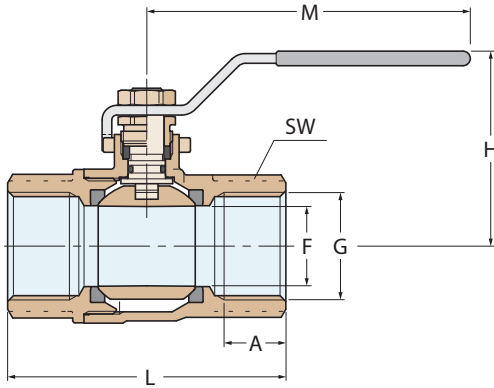


2300

**Valvola a sfera F-F  
passaggio totale a leva**  
Lever operated ball  
valve F-F full flow

**Omologato RINA**  
RINA validated

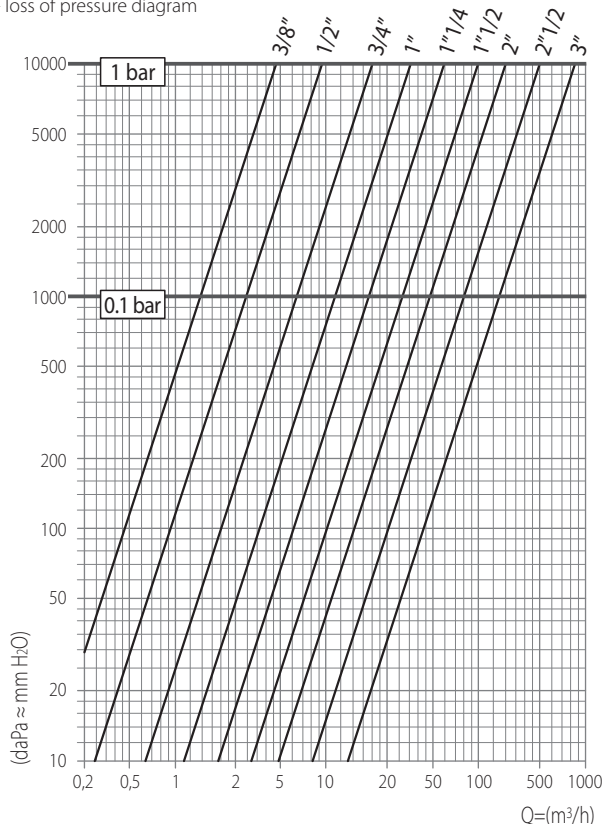


FILETTATURE / THREAD :  
G = EN 10226/1 (BS 21)

2300									
Weight (gr)	190	280	390	600	990	1200	2000	3700	5860
SW	22	26	32	41	50	55	69	84	98
M	78	78	98	98	128	128	158	158	240
H	48	49	56	60	72	77	88	105	178
L	54	65	72	86	99	107	128	157	177
F	12	14.8	19.5	24.5	31.5	38.5	48	65	78
A	11.4	15	16.3	19.1	21.4	21.4	25.7	30.2	33.3
<b>G</b>	<b>3/8"</b>	<b>1/2"</b>	<b>3/4"</b>	<b>1"</b>	<b>1"1/4</b>	<b>1"1/2</b>	<b>2"</b>	<b>2"1/2</b>	<b>3"</b>

Bronzo  
Bronze

Diagramma portate - perdite di carico  
Flow rate - loss of pressure diagram



Corpo e maniccotto in Bronzo CC499K  
Bronze CC499K body and cap

Seggi e rondella premistoppa in PTFE  
PTFE seals and anti-friction ring

O-ring in EPDM  
EPDM O-ring

Asta in Ottone CW625  
Brass CW625 rod

Sfera in ottone rivestito con trattamento ecocompatibile  
resistente alla corrosione  
Brass Ball

Leva e dado in acciaio inox 304  
Stainless steel 304 lever and nut

G	1 bar
3/8"	9000
1/2"	18000
3/4"	39000
1"	71000
1"1/4	119000
1"1/2	196000
2"	300000
2"1/2	500000
3"	850000

Portate di acqua - lt/h  
Flow-rate capacity - lt/h