

flange flanges

1340

Flangia PN6 / PN16 con filetto maschio
PN6 / PN16 flange with male thread

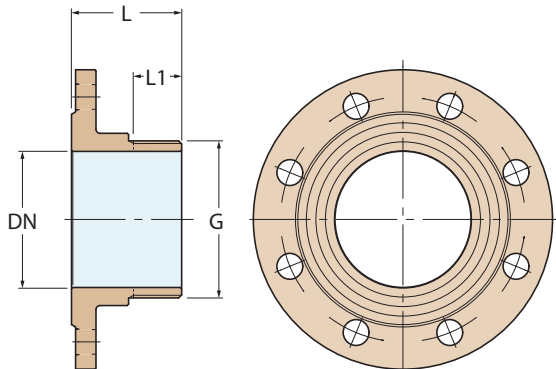


Tabella flange a pag. 195
Flange table on page 195

FILETTATURE / THREAD :
G = ISO 228/1 (BS 2779)

1340	■	■	■	■	■	■	■	■	■
Weight (PN6) (gr)	730	1100	1270	1600	2160	3150	4220	5590	6680
Weight (PN16) (gr)	1060	1700	1910	2520	3400	3980	5240	6980	8530
1340N	■	■	■	■	■	■	■	■	■
Weight (PN6) (gr)	700	1050	1205	1530	2050	2930	4020	5370	6380
Weight (PN16) (gr)	1015	1620	1820	2430	3300	3760	4960	6640	8250
3340	■	■	■	■	■	■	■	■	■
Weight (PN6) (gr)	220	330	380	480	650	945	1265	1680	2010
Weight (PN16) (gr)	320	510	575	755	1020	1195	1570	2095	2560
L (PN6)	49	55	56	59	66	71	78	86	88
L (PN16)	52	57	58	62	69	74	81	89	91
L1	20	22	23	26	30	33	39	44	44
DN	25	32	40	50	65	80	100	125	150
G	1"	1"1/4	1"1/2	2"	2"1/2	3"	4"	5"	6"

Bronzo
Bronze ■

1340N



Ottone nichelato
Nickel-plated brass ■

3340



Alluminio anodizzato nero
Solo su richiesta speciale
Black anodized aluminium
Upon special request only ■