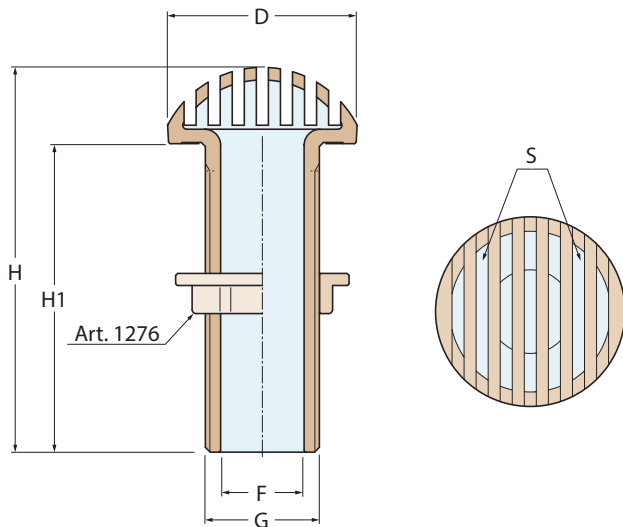


# prese e scarichi a mare water intakes and thru-hulls

**1210**

**Presca a mare tonda**  
Round water inlet



FILETTATURE / THREAD :  
G = ISO 228/1 (BS 2779)

1210	■	■
Weight (gr)	355	525
S (cm <sup>2</sup> )	5.0	12.1
H	118	121
H1	100	100
F	19	25
D	51	61
G	3/4"	1"



Bronzo ■  
Bronze