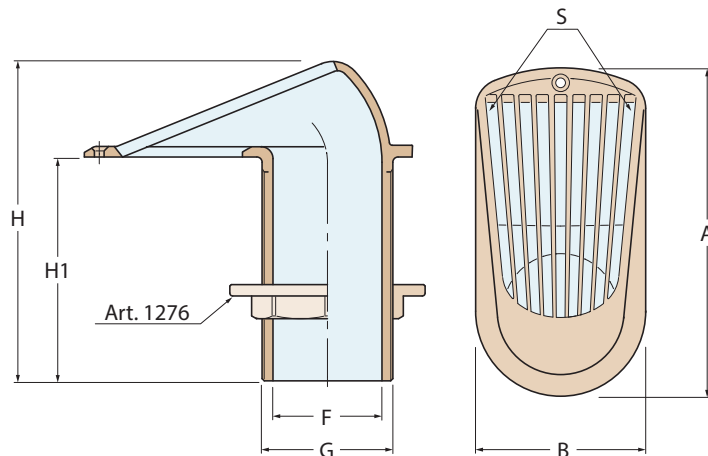


# prese e scarichi a mare water intakes and thru-hulls

## 1112B

Presca a mare serie "2000"  
Grated water intake "2000" series



FILETTATURE / THREAD :  
G = ISO 228/1 (BS 2779)

1112B	■	■	■	■	■	■	■	■	■
Weight (gr)	260	360	635	917	1177	1706	2850	3600	6600
S (cm <sup>2</sup> )	6.2	7	15	21	25.5	37	51	66.2	122
H	95	103	111	118	129	142	189	214	285
H1	75	80	85	90	100	110	130	150	200
F	11.5	15	25	33	38.5	49.5	64	77	101
A	74	81	104	118	130	154	200	220	293
B	37	40	55	64	71	84	100	115	145
G	1/2"	3/4"	1"	1 1/4"	1 1/2"	2"	2 1/2"	3"	4"



Bronzo  
Bronze ■